

# **SINGER**

## **211U UTT**

**ILLUSTRATED  
PARTSLIST  
FOR  
SINGER\***

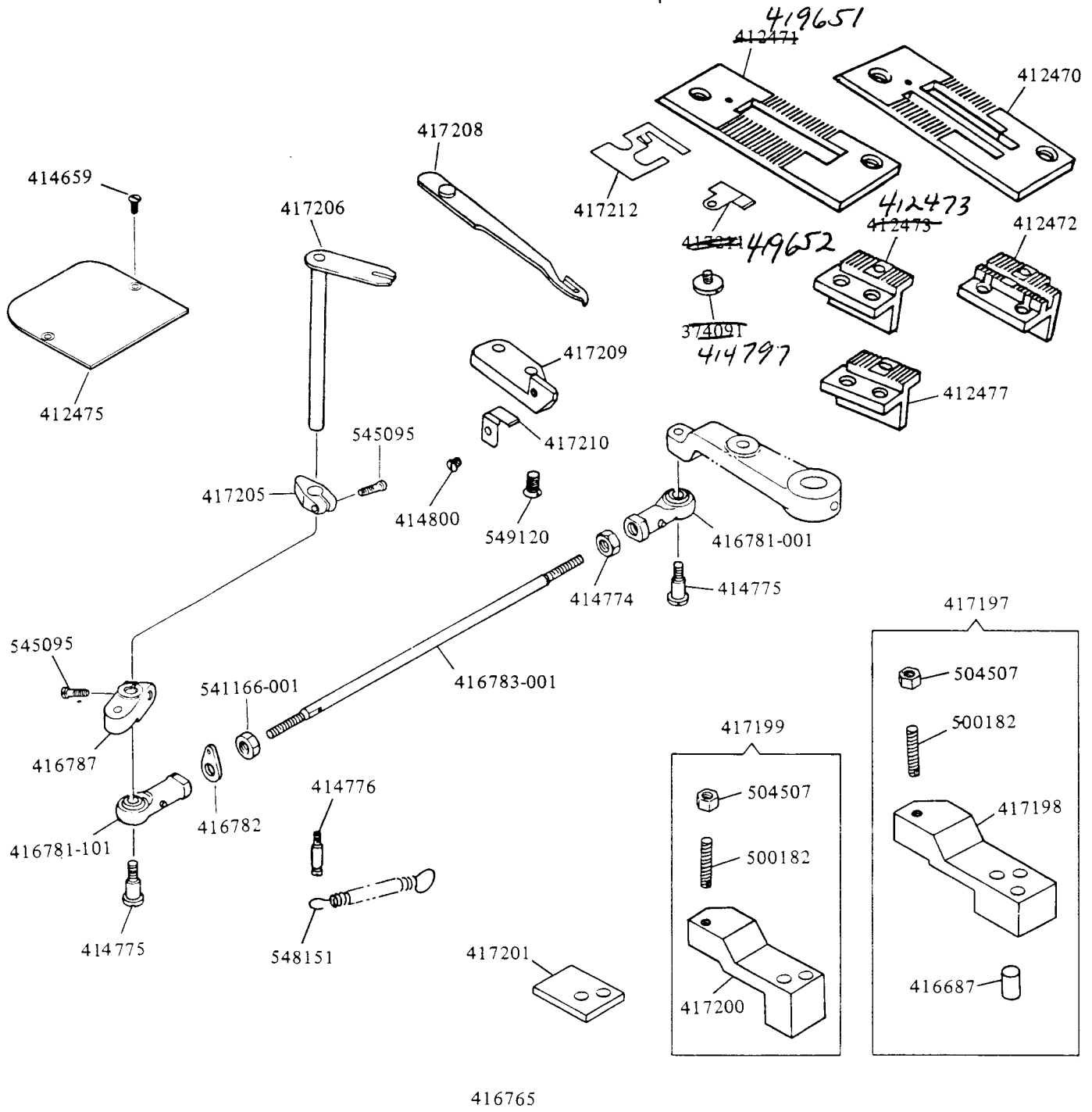
**UNDER BED THREAD  
TRIMMER**

**FOR 211U157JA  
165JA  
166JA  
566JA  
567JB  
  
157KA  
166KA  
566KA  
567KB**

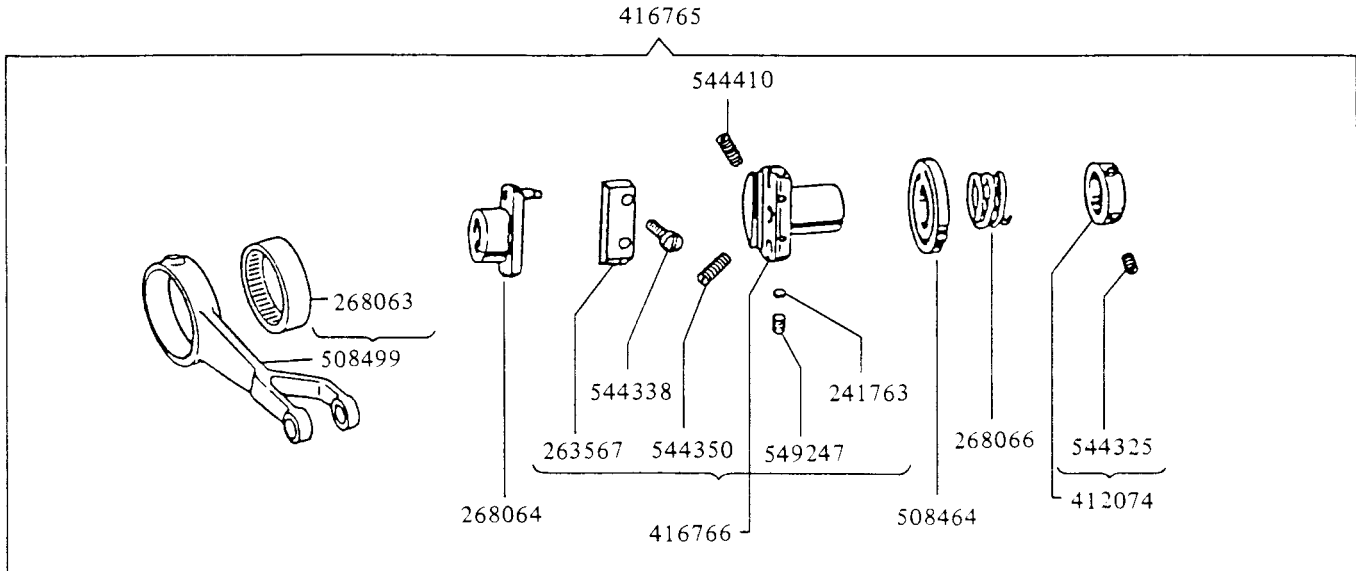


No.										Description
	211U157 JA	211U165 JA	211U166 JA	211U566 JA	211U567 JB	211U157 KA	211U166 KA	211U566 KA	211U567 KB	
190-850	*	*	*	*	*	*	*	*	*	Trimmer Solenoid Arm Stopper Screw (2)
141566	*	*	*	*	*	*	*	*	*	Machine Pulley Position Screw
141567	*	*	*	*	*	*	*	*	*	Machine Pulley Set Screw
272142	*	*	*	*	*	*	*	*	*	Arm Shaft Ball Bearing (Back)
411786-001	*	*	*	*	*	*	*	*	*	Trimmer Solenoid Cord Terminal (2)
411992	*	*	*	*	*	*	*	*	*	Trimmer Solenoid Complete 411993, 541165-003 (2), 543805-003 (2)
411993	*	*	*	*	*	*	*	*	*	Trimmer Solenoid
411994	*	*	*	*	*	-	-	-	-	Trimmer Solenoid Cord Complete
414762	*	*	*	*	*	*	*	*	*	Bed Extension Bolt (3)
414773	*	*	*	*	*	*	*	*	*	Trimmer Cam Roller Screw
414773	*	*	*	*	*	*	*	*	*	Tension Releasing Cam Roller Screw
416769	*	*	*	*	*	*	*	*	*	Tension Releasing Cam
416770	*	*	*	*	*	*	*	*	*	Trimmer Solenoid Bracket
416771	*	*	*	*	*	*	*	*	*	Trimmer Solenoid Arm
416772	*	*	*	*	*	*	*	*	*	Trimmer Solenoid Arm Pin
416773	*	*	*	*	*	*	*	*	*	Trimmer Solenoid Arm Stopper
416774	*	*	*	*	*	*	*	*	*	Trimmer Lever Shaft
416775	*	*	*	*	*	*	*	*	*	Tension Release Drive Lever Complete 414773, 416776, 416777 416780, 545409, 549120 (3)
416776	*	*	*	*	*	*	*	*	*	Tension Release Drive Lever
416777	*	*	*	*	*	*	*	*	*	Tension Release Drive Leber Boss
416780	*	*	*	*	*	*	*	*	*	Trimmer Cam Roller
416780	*	*	*	*	*	*	*	*	*	Tension Releasing Cam Roller
417194	*	-	-	-	-	*	-	-	-	Machine Pulley (for UTT) with 141566, 141567, 272142
417196	-	*	*	*	*	-	*	*	*	Machine Pulley (for UTT) with 141566, 141567, 272142
417202	*	*	*	*	*	*	*	*	*	Trimmer Solenoid Bracket Complete 190-850 (2), 411992, 416770, 416771, 416772, 416773, 416774, 416775, 417203, 504134, 545072, 545095
417203	*	*	*	*	*	*	*	*	*	Trimmer Lever Complete 414773, 416780, 417204
417204	*	*	*	*	*	*	*	*	*	Trimmer Lever
417236	*	*	*	*	*	*	*	*	*	Bed Extension Bolt Spacer
417241	*	*	*	*	*	*	*	*	*	Trimmer Cam
419025	-	-	-	-	-	*	*	*	*	Trimmer, Back Tack Solenoid Cord Complete
504010-452	*	*	*	*	*	*	*	*	*	Trimmer Solenoid Cord Clip Screw
504028	*	*	*	*	*	*	*	*	*	Tension Releasing Cam Set Screw (2)
504134	*	*	*	*	*	*	*	*	*	Trimmer Lever Set Screw
541165-003	*	*	*	*	*	*	*	*	*	Trimmer Solenoid Nut (2)
541168-003	*	*	*	*	*	*	*	*	*	Bed Extension Bolt Lock Nut (2)
542602	*	*	*	*	*	*	*	*	*	Trimmer Solenoid Cord Bushing
542766-002	*	*	*	*	*	*	*	*	*	Trimmer Solenoid Cord Clip
543803-002	*	*	*	*	*	*	*	*	*	Trimmer Solenoid Cord Clip Washer
543805-003	*	*	*	*	*	*	*	*	*	Trimmer Solenoid Washer (2)
544352	*	*	*	*	*	*	*	*	*	Trimmer Solenoid Bracket Screw (3)
545072	*	*	*	*	*	*	*	*	*	Trimmer Solenoid Arm Pin Screw
545095	*	*	*	*	*	*	*	*	*	Trimmer Solenoid Arm Screw
545313	*	*	*	*	*	*	*	*	*	Trimmer Cam Set Screw (2)
545409	*	*	*	*	*	*	*	*	*	Tension Releasing Cam Roller Screw Lock Nut
549120	*	*	*	*	*	*	*	*	*	Tension Release Drive Lever Boss Screw (3)

STATIONARY KNIFE  
SCREW  
414541

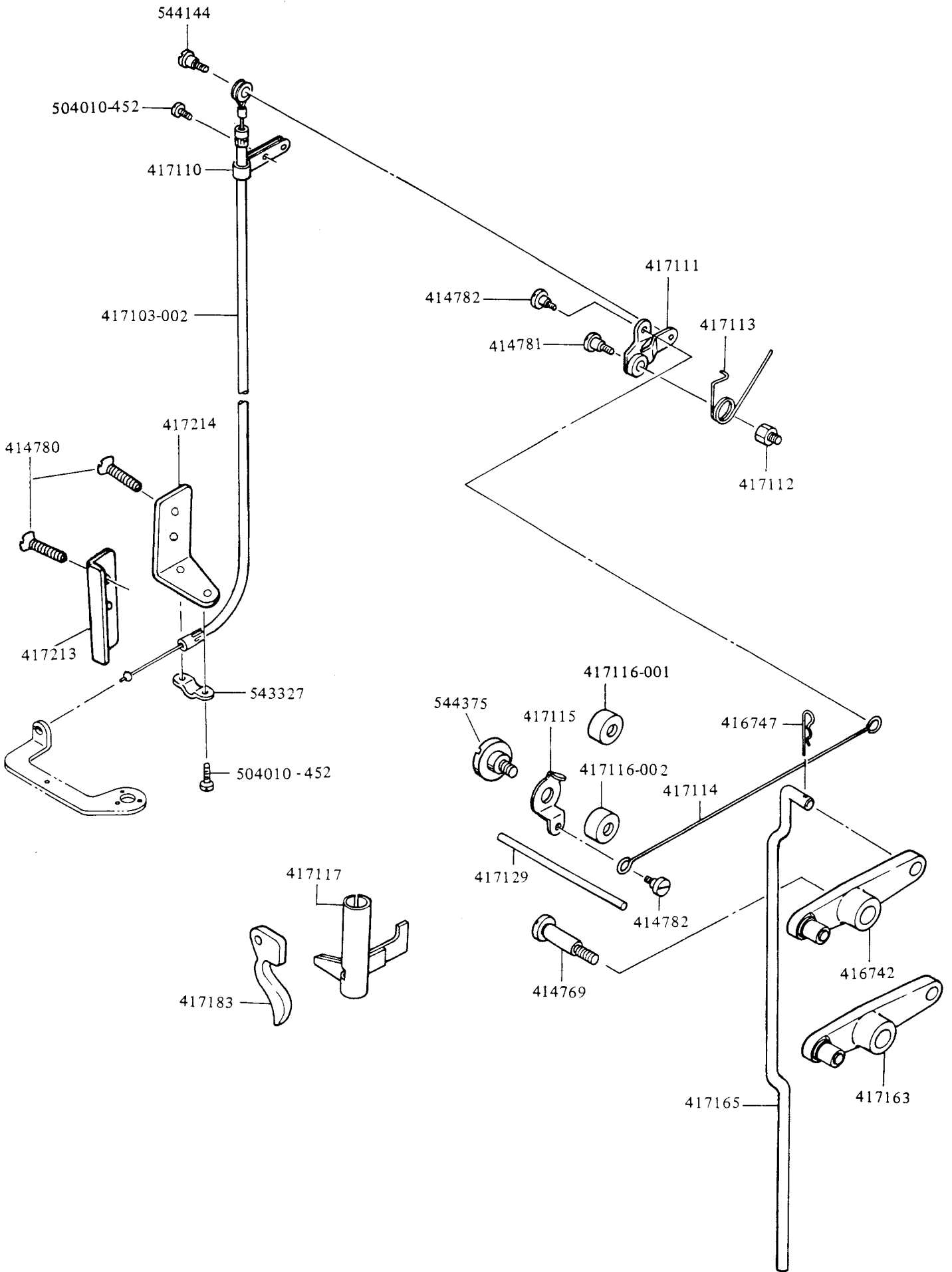


From the library of: Diamond Needle Corp



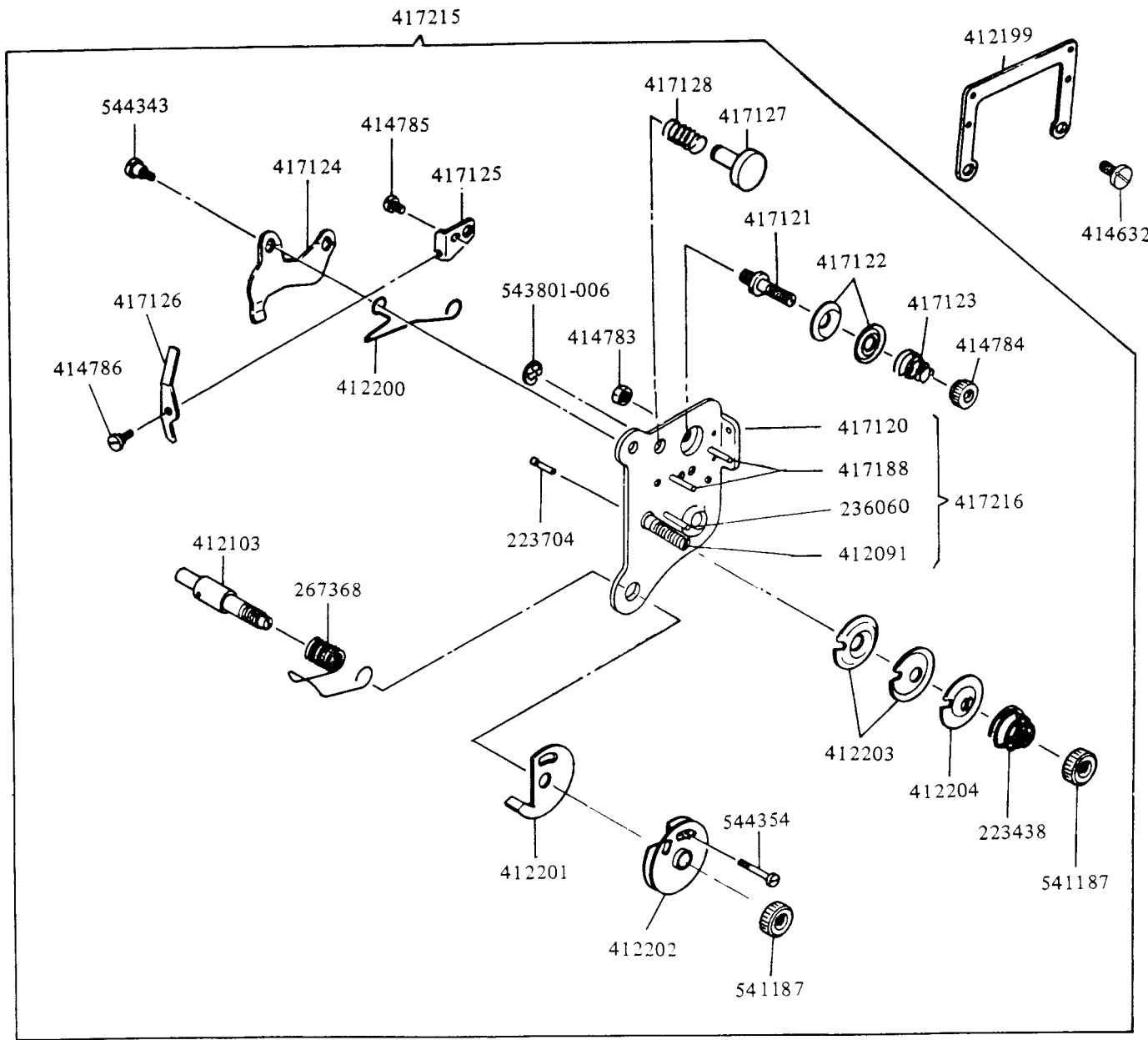
No.						Description	
	211U157 JA	211U165 JA	211U166 JA	211U566 JA	211U567 JB		
241763	*	*	*	*	*	* * * *	Feed Driving Eccentric Friction Plate Screw Set Screw Packing (2)
263567	*	*	*	*	*	* * * *	Feed Driving Eccentric Friction Plate
268063	*	*	*	*	*	* * * *	Feed Driving Eccentric Connection Needle Bearing
268064	*	*	*	*	*	* * * *	Feed Driving Eccentric
268066	*	*	*	*	*	* * * *	Feed Driving Eccentric Adjusting Disc Spring
374091	*	*	*	*	*	* * * *	Stationary Knife Adjust Plate Screw
412074	-	-	*	*	*	- * * *	Feed Driving Eccentric Adjusting Disc Spring Collar with 544325 (2)
412470	*	-	-	-	-	* - - -	Throat Plate (for UTT)
412471	-	*	*	*	*	- * * *	Throat Plate (for UTT)
412472	*	-	-	-	-	* - - -	Feed Dog (for UTT)
412473	-	*	*	*	*	- * * *	Feed Dog (for UTT)
412475	*	*	*	*	*	* * * *	Picker Cover
412477	-	*	*	*	*	- * * *	Feed Dog (for UTT) (Optional)
414659	*	*	*	*	*	* * * *	Picker Cover Screw (2)
414774	*	*	*	*	*	* * * *	Trimmer Rod End (Right) Nut
414775	*	*	*	*	*	* * * *	Trimmer Rod End Screw (2)
414776	*	*	*	*	*	* * * *	Picker Return Spring Stud
414800	*	*	*	*	*	* * * *	Trapper Screw
416687	-	-	-	-	*	- - - *	Stitch Position Stop Cushion
416765	-	-	*	*	*	- * * *	Feed Drive Eccentric and Connection Complete (for UTT) 268064, 268066, 412074, 416766, 508464, 508499
416766	-	-	*	*	*	- * * *	Feed Driving Flange with 241763 (2), 263567, 544338 (2), 544350, 544410, 549247 (2)
416781-001	*	*	*	*	*	* * * *	Trimmer Rod End (Right)
416781-101	*	*	*	*	*	* * * *	Trimmer Rod End (Left)
416782	*	*	*	*	*	* * * *	Picker Return Spring Hook
416783-001	*	*	*	*	*	* * * *	Trimmer Rod
416787	*	*	*	*	*	* * * *	Picker Drive Arm
417197	-	-	-	-	*	- - - *	Stitch Position Stop Complete (for UTT) 416687, 417198, 500182, 504507
419198	-	-	-	-	*	- - - *	Stitch Position Stop (for UTT)
417199	-	-	-	*	-	- - * -	Stitch Position Stop Complete (for UTT) 417200, 500182, 504507
417200	-	-	-	*	-	- - * -	Stitch Position Stop (for UTT)
417201	-	-	-	*	*	- - * *	Stitch Position Spacer
417205	*	*	*	*	*	* * * *	Picker Drive Shaft Stopper
417206	*	*	*	*	*	* * * *	Picker Drive Shaft
417208	*	*	*	*	*	* * * *	Picker
417209	*	*	*	*	*	* * * *	Picker Support
417210	*	*	*	*	*	* * * *	Trapper
417211	*	*	*	*	*	* * * *	Stationary Knife
417212	*	*	*	*	*	* * * *	Stationary Knife Adjust Plate
500182	-	*	*	*	*	- * * *	Throat Plate (for UTT)
504507	-	-	-	*	*	- - * *	Stitch Position Stop Screw
508464	-	-	-	*	*	- - * *	Stitch Position Stop Screw Nut
508499	-	-	*	*	*	- * * *	Feed Driving Eccentric Adjusting Disc.
541166-001	*	*	*	*	*	* * * *	Feed Driving Eccentric Connection with 268063
544325	*	*	*	*	*	* * * *	Trimmer Rod End (Left) Nut
544338	*	*	*	*	*	* * * *	Feed Driving Eccentric Adjusting Disc Spring Collar Set Screw (2)
544350	*	*	*	*	*	* * * *	Feed Driving Eccentric Friction Plate Screw (2)
544410	*	*	*	*	*	* * * *	Feed Driving Flange Set Screw
545095	*	*	*	*	*	* * * *	Feed Driving Flange Position Screw
545095	*	*	*	*	*	* * * *	Picker Drive Arm Screw
548151	*	*	*	*	*	* * * *	Picker Drive Shaft Stopper Screw
549120	*	*	*	*	*	* * * *	Picker Return Spring
549247	*	*	*	*	*	* * * *	Picker Support Set Screw (2)
	*	*	*	*	*	* * * *	Feed Driving Eccentric Friction Plate Screw Set Screw (2)

From the library of: Diamond Needle Corp

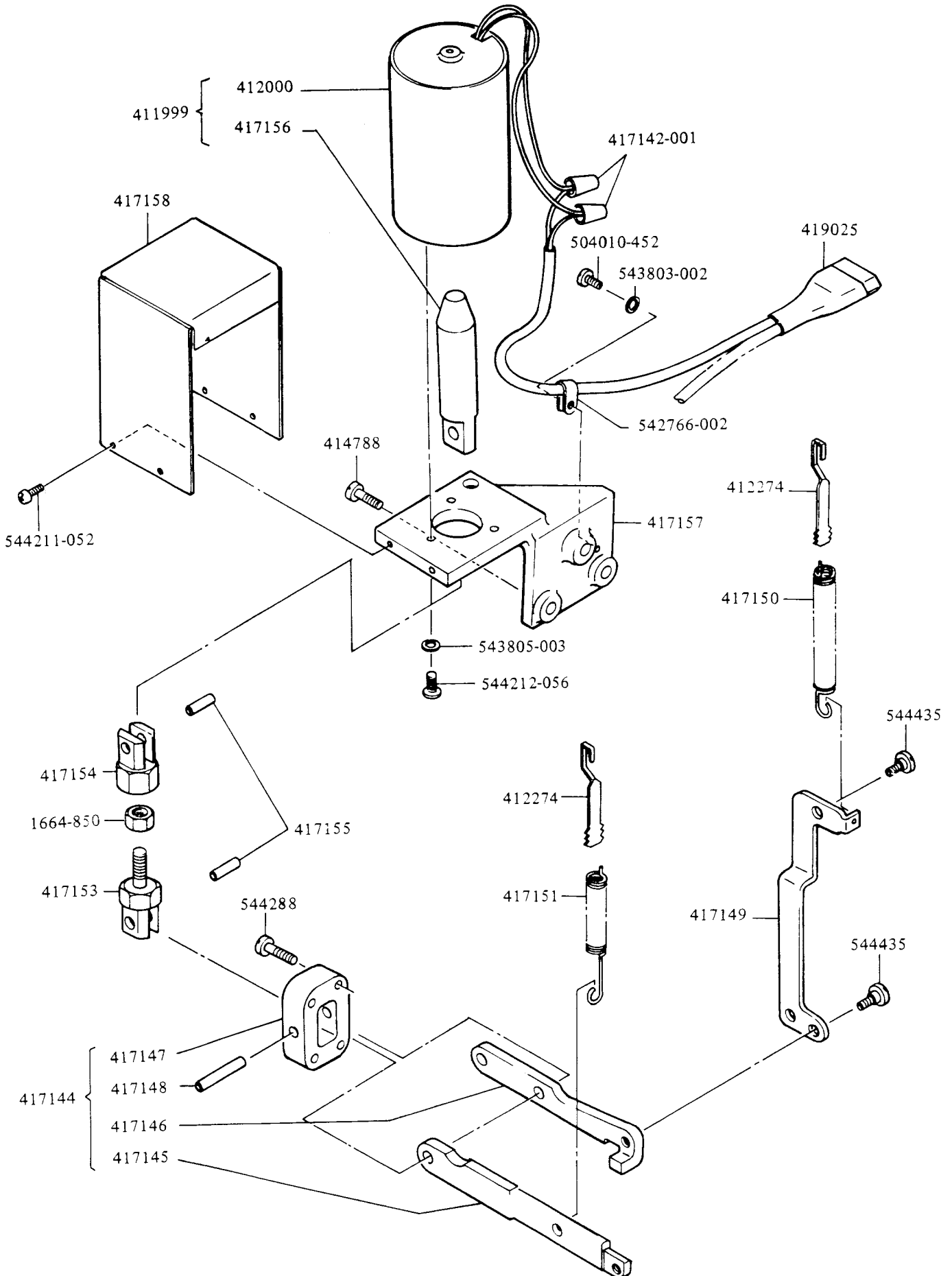


No.	211U157 JA	211U165 JA	211U166 JA	211U566 JA	211U567 JB	211U157 KA	211U166 KA	211U566 KA	211U567 KB	Description
414769	*	*	*	*	*	*	*	*	*	Knee Lifter Connection Lever Hinge Screw
414780	*	*	*	*	*	*	*	*	*	Tension Releasing Wire Bracket Screw (2)
414780	*	*	*	*	*	*	*	*	*	Tension Release Drive Lever Stop Screw (2)
414781	*	*	*	*	*	*	*	*	*	Tension Releasing Bell Crank Screw
414782	*	*	*	*	*	*	*	*	*	Tension Releasing Rod Screw (2)
416742	-	*	*	*	*	-	*	*	*	Knee Lifter Connection Lever Complete
416747	*	*	*	*	*	*	*	*	*	Knee Lifter Connection Lever Lifting Rod Pin
417103-002	*	*	*	*	*	*	*	*	*	Tension Releasing Wire Complete
417110	*	*	*	*	*	*	*	*	*	Tension Releasing Wire Clamp (Upper)
417111	*	*	*	*	*	*	*	*	*	Tension Releasing Bell Crank Complete
417112	*	*	*	*	*	*	*	*	*	Tension Releasing Bell Crank Stud
417113	*	*	*	*	*	*	*	*	*	Tension Releasing Ring Return Spring
417114	*	*	*	*	*	*	*	*	*	Tension Releasing Rod
417115	*	*	*	*	*	*	*	*	*	Tension Releasing Ring
417116-001	*	-	-	-	-	*	-	-	-	Tension Releasing Ring Spacer
417116-002	-	*	*	*	*	-	*	*	*	Tension Releasing Ring Spacer
417117	*	-	-	-	-	*	-	-	-	Presser Bar Lifting Releasing Lever Bracket (for UTT)
417129	*	*	*	*	*	*	*	*	*	Tension Release Plate Rod (for UTT)
417163	*	-	-	-	-	*	-	-	-	Knee Lifter Connection Lever Complete
417165	*	*	*	*	*	*	*	*	*	Knee Lifter Connection Lever Lifting Rod (for UTT)
417183	*	-	-	-	-	*	-	-	-	Presser Bar Lifter (for UTT)
417213	*	*	*	*	*	*	*	*	*	Tension Release Drive Lever Stop
417214	*	*	*	*	*	*	*	*	*	Tension Releasing Wire Bracket
504010-452	*	*	*	*	*	*	*	*	*	Tension Releasing Wire Clamp (Upper) Screw (2)
504010-452	*	*	*	*	*	*	*	*	*	Tension Releasing Wire Clamp (Lower) Screw (2)
543327	*	*	*	*	*	*	*	*	*	Tension Releasing Wire Clamp (Lower)
544144	*	*	*	*	*	*	*	*	*	Tension Releasing Wire Shave Screw
544375	*	*	*	*	*	*	*	*	*	Presser Bar Lifting Releasing Lever Bracket Guide Screw

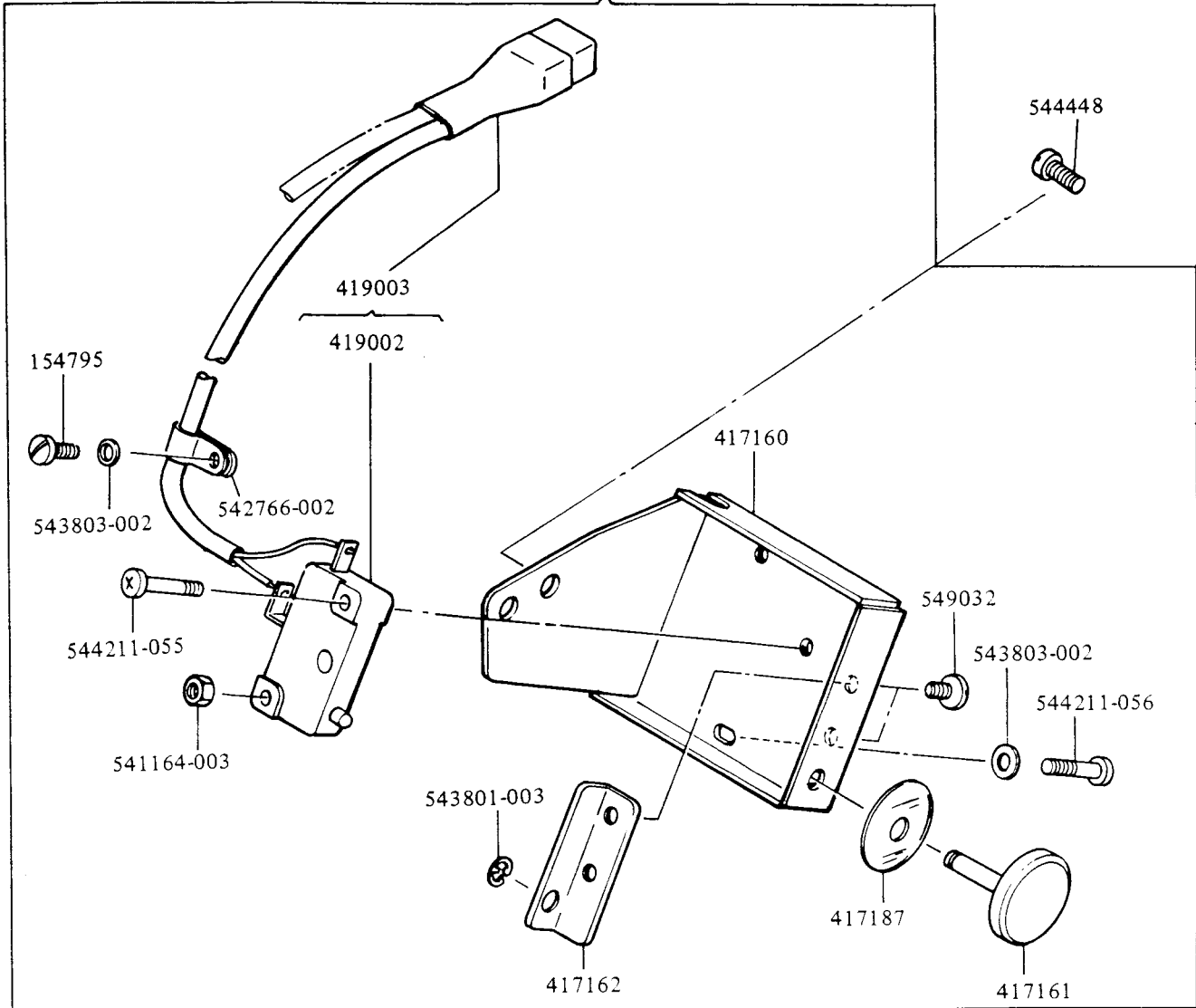




No.	211U157 JA 211U165 JA 211U166 JA 211U566 JA 211U567 JB	211U157 KA 211U166 KA 211U566 KA 211U567 KB	Description
223438	* * * * *	* * * *	Tension Spring
223704	* * * * *	* * * *	Tension Release Plunger
236060	* * * * *	* * * *	Tension Disc Position Pin
267368	* * * * *	* * * *	Thread Controller Spring
412091	* * * * *	* * * *	Tension Stud
412103	* * * * *	* * * *	Thread Controller Stud
412199	* * * * *	* * * *	Thread Guide
412200	* * * * *	* * * *	Tension Release Plate Spring
412201	* * * * *	* * * *	Thread Controller Spring Stop
412202	* * * * *	* * * *	Thread Controller Disc
412203	* * * * *	* * * *	Tension Disc (2)
412204	* * * * *	* * * *	Tension Release Washer
414632	* * * * *	* * * *	Thread Guide Screw
414783	* * * * *	* * * *	Pre-Tension Stud Lock Nut
414784	* * * * *	* * * *	Pre-Tension Thumb Nut
414785	* * * * *	* * * *	Tension Release Lever Bracket Screw
414786	* * * * *	* * * *	Tension Release Lever Screw
417120	* * * * *	* * * *	Tension Bracket Body
417121	* * * * *	* * * *	Pre-Tension Stud
417122	* * * * *	* * * *	Pre-Tension Disc (2)
417123	* * * * *	* * * *	Pre-Tension Spring
417124	* * * * *	* * * *	Tension Release Plate
417125	* * * * *	* * * *	Tension Release Lever Bracket
417126	* * * * *	* * * *	Tension Release Lever
417127	* * * * *	* * * *	Tension Release Button
417128	* * * * *	* * * *	Tension Release Button Spring
417188	* * * * *	* * * *	Thread Guide Pin (2)
417215	* * * * *	* * * *	Tension Bracket Complete (for UTT)
417216	* * * * *	* * * *	Tension Bracket Body Complete 236060, 412091, 414120, 417188 (2)
541187	* * * * *	* * * *	Tension Thumb Nut (2)
543801-006	* * * * *	* * * *	Tension Release Button Retaining Ring
544343	* * * * *	* * * *	Tension Release Plate Screw (2)
544354	* * * * *	* * * *	Thread Controller Disc Screw



No.	211U157 JA					211U157 KA				Description
	211U165 JA	211U166 JA	211U566 JA	211U567 JB	211U166 KA	211U566 KA	211U567 KB			
1664-850	-	-	-	-	-	*	*	*	*	Back Tack Solenoid Adapter Nut
411999	-	-	-	-	-	*	*	*	*	Back Tack Solenoid Complete 412000, 417156
412000	-	-	-	-	-	*	*	*	*	Back Tack Solenoid
412274	*	*	*	*	*	*	*	*	*	Feed Reversing Lever Spring Hook (2)
414788	-	-	-	-	-	*	*	*	*	Back Tack Solenoid Bracket Screw (3)
417142-001	-	-	-	-	-	*	*	*	*	Back Tack Solenoid Wire Connector (2)
417144	-	-	-	-	-	*	*	*	*	Feed Reversing Lever Complete (for UTT) 417145, 417146, 417147, 417148
417145	-	-	-	-	-	*	*	*	*	Feed Reversing Lever (for UTT)
417146	-	-	-	-	-	*	*	*	*	Feed Reversing Attachment Lever
417147	-	-	-	-	-	*	*	*	*	Feed Reversing Lever Bracket (for UTT)
417148	-	-	-	-	-	*	*	*	*	Feed Reversing Lever Hinge Pin (for UTT)
417149	-	-	-	-	-	*	*	*	*	Feed Reversing Lever Link (for UTT)
417150	-	-	-	-	-	*	*	*	*	Feed Reversing Link Spring
417151	-	-	-	-	-	*	*	*	*	Feed Reversing Lever Spring (for UTT)
417153	-	-	-	-	-	*	*	*	*	Back Tack Solenoid Adapter (Lower)
417154	-	-	-	-	-	*	*	*	*	Back Tack Solenoid Adapter (Upper)
417155	-	-	-	-	-	*	*	*	*	Back Tack Solenoid Adapter Pin (2)
417156	-	-	-	-	-	*	*	*	*	Back Tack Solenoid Plunger
417157	-	-	-	-	-	*	*	*	*	Back Tack Solenoid Bracket
417158	-	-	-	-	-	*	*	*	*	Back Tack Solenoid Cover
419025	-	-	-	-	-	*	*	*	*	Trimmer, Back Tack Solenoid Cord Complete
504010-452	-	-	-	-	-	*	*	*	*	Back Tack Solenoid Cord Clip Screw
542766-002	-	-	-	-	-	*	*	*	*	Back Tack Solenoid Cord Clip
543803-002	-	-	-	-	-	*	*	*	*	Back Tack Solenoid Cord Clip Washer
543805-003	-	-	-	-	-	*	*	*	*	Back Tack Solenoid Washer (3)
544211-052	-	-	-	-	-	*	*	*	*	Back Tack Solenoid Cover Screw (4)
544212-056	-	-	-	-	-	*	*	*	*	Back Tack Solenoid Screw (3)
544288	*	*	*	*	*	*	*	*	*	Feed Reversing Lever Bracket Screw (4)
544435	*	*	*	*	*	*	*	*	*	Feed Reversing Lever Hinge Screw (2)

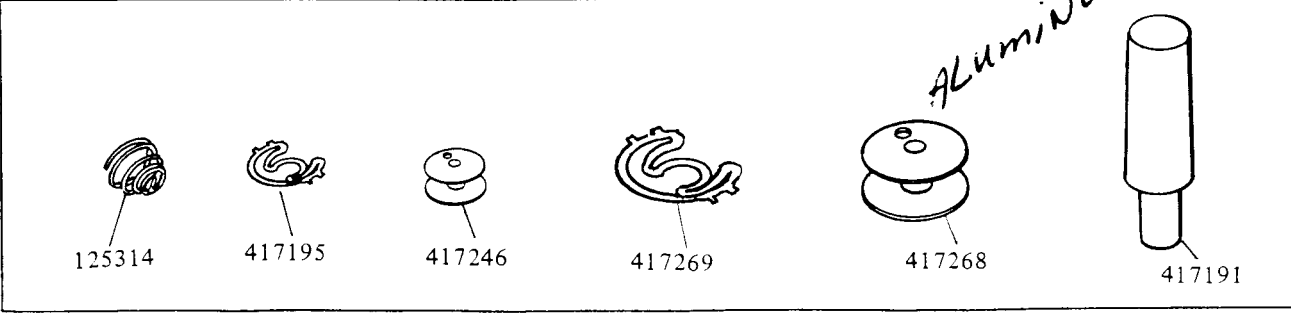


- 504010-452 (Screw)
- 543803-002 (Washer)

- 542766-002 (Bracket)
- 542766-005 (Bracket)

- 540899 (Screw)

ACCESSORIES



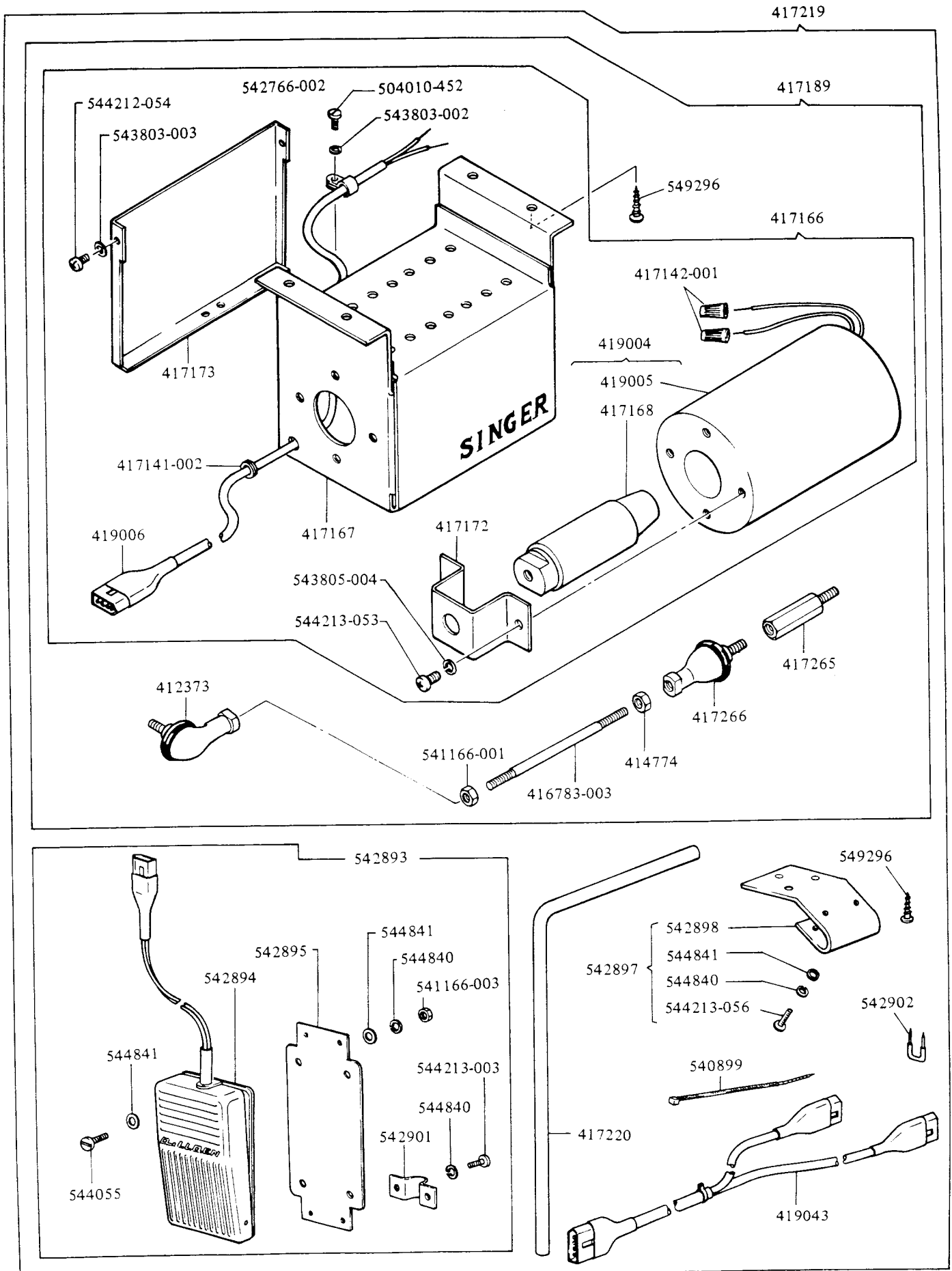
No.	211U157 JA	211U165 JA	211U166 JA	211U566 JA	211U567 JB	212H	211U157 KA	211U166 KA	211U566 KA	211U567 KB	Description
154795	-	-	-	-	-	*	*	*	*	*	Back Tack Switch Cord Clip Screw
417159	-	-	-	-	-	*	*	*	*	*	Back Tack Switch Box Complete 417160, 417161, 417162, 417187, 419026, 541164-003, 542766-002, 543801-003, 543803-002 (2) 544211-055, 544211-056, 549032
417160	-	-	-	-	-	*	*	*	*	*	Back Tack Switch Box
417161	-	-	-	-	-	*	*	*	*	*	Back Tack Switch Push Rod Complete
417162	-	-	-	-	-	*	*	*	*	*	Back Tack Switch Push Rod Guide
417187	-	-	-	-	-	*	*	*	*	*	Back Tack Switch Push Rod Cushion
419002	-	-	-	-	-	*	*	*	*	*	Back Tack Switch Complete
419026	-	-	-	-	-	*	*	*	*	*	Wiper Solenoid, Back Tack Switch Cord Complete
504010-452	*	*	*	*	*	*	*	*	*	*	Cord Clip (Rear) Screw (2)
540899	*	*	*	*	*	*	*	*	*	*	Cord Retainer (Rear)
541164-003	-	-	-	-	-	*	*	*	*	*	Back Tack Switch Screw Lock Nut
542766-002	-	-	-	-	-	*	*	*	*	*	Back Tack Switch Cord Clip
542766-002	*	*	*	*	*	*	*	*	*	*	Cord Clip (Rear) Small
542766-005	-	-	-	-	-	*	*	*	*	*	Cord Clip (Rear) Medium
543801-003	-	-	-	-	-	*	*	*	*	*	Back Tack Switch Push Rod Retaining Ring
543803-002	-	-	-	-	-	*	*	*	*	*	Back Tack Switch Washer
543803-002	-	-	-	-	-	*	*	*	*	*	Back Tack Switch Cord Clip Washer
543803-002	-	-	-	-	-	*	*	*	*	*	Cord Clip (Rear) Washer (2)
544211-055	-	-	-	-	-	*	*	*	*	*	Back Tack Switch Screw (Short)
544211-056	-	-	-	-	-	*	*	*	*	*	Back Tack Switch Screw (Long)
544448	-	-	-	-	-	*	*	*	*	*	Back Tack Switch Box Complete Screw (2)
549032	-	-	-	-	-	*	*	*	*	*	Back Tack Switch Push Rod Guide Screw (2)

From the library of: Diamond Needle Corp

**ACCESSORIES**

No.	211U157 JA	211U165 JA	211U166 JA	211U566 JA	211U567 JB	211U157 KA	211U166 KA	211U566 KA	211U567 KB	Description
125314	*	*	*	*	*	*	*	*	*	Tension Spring
417191	-	-	-	-	-	*	*	*	*	Machine Rest Pin (for UTT)
417195	*	*	*	-	-	*	*	-	-	Anti Spill Spring
417246	*	*	*	-	-	*	*	-	-	Bobbin (2)
417268	-	-	-	*	*	-	-	*	*	Bobbin (2)
417269	-	-	-	*	*	-	-	*	*	Anti Spill Spring

# OPTIONAL PARTS



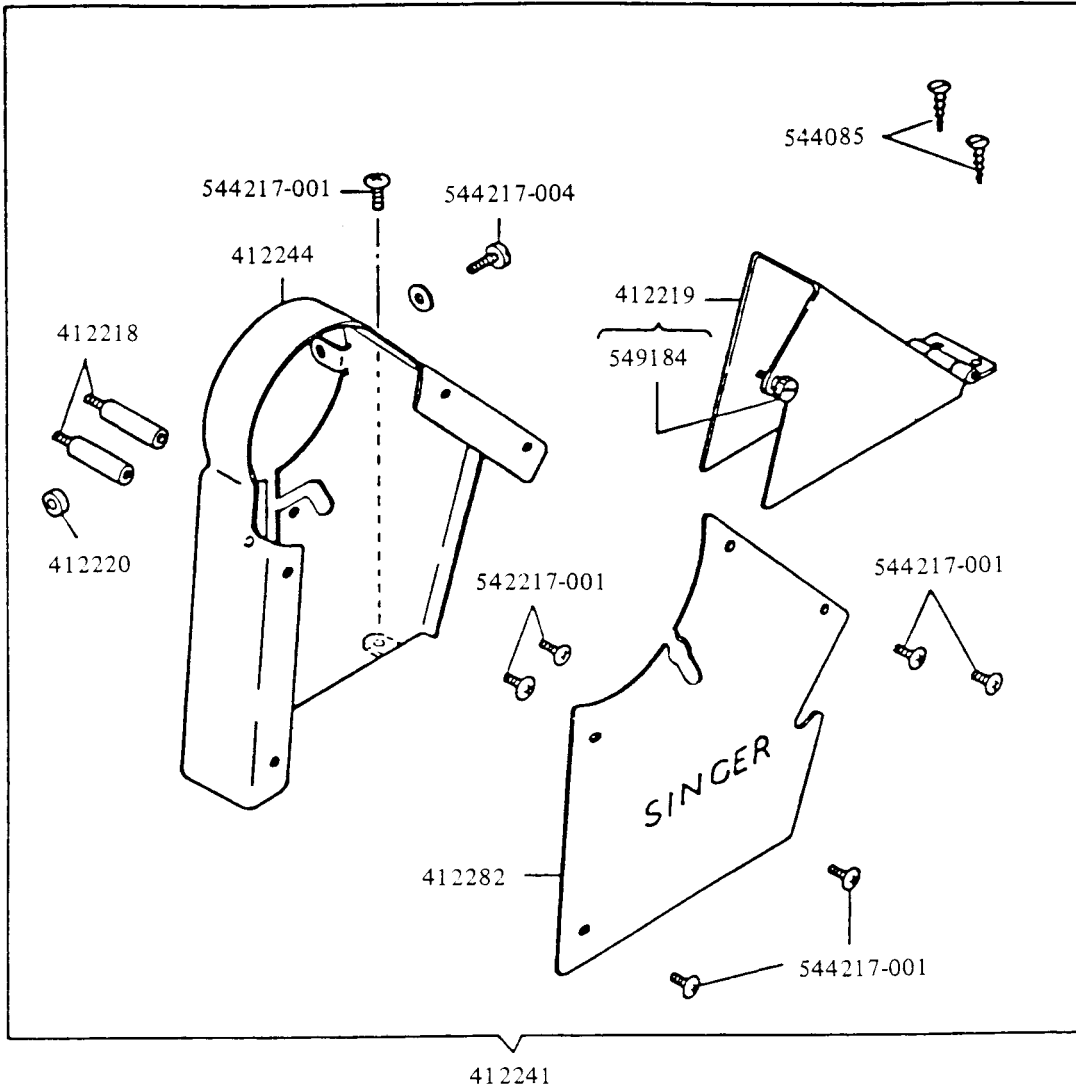
From the library of: Diamond Needle Corp

OPTIONAL PARTS

No.						Description				
	211U157 JA	211U165 JA	211U166 JA	211U566 JA	211U567 JB		211U157 KA	211U166 KA	211U566 KA	211U567 JB
412373	*	*	*	*	*	*	*	*	*	Foot Lift Solenoid Rod Link Ball (Left)
414774	*	*	*	*	*	*	*	*	*	Foot Lift Solenoid Rod Link Ball (Right) Nut
416783-003	*	*	*	*	*	*	*	*	*	Foot Lift Solenoid Rod
417141-002	*	*	*	*	*	*	*	*	*	Foot Lift Solenoid Cord Grommet
417142-001	*	*	*	*	*	*	*	*	*	Foot Lift Solenoid Wire Connector (2)
417166	*	*	*	*	*	*	*	*	*	Foot Lift Solenoid Box Complete 417141-002, 417142-001 (2), 417167, 417172, 417173, 419004, 419006, 504010-452, 542766-002, 543803-002, 543803-003 (3), 543805-004 (4), 544212-054 (3), 544213-053 (4)
417167	*	*	*	*	*	*	*	*	*	Foot Lift Solenoid Box
417168	*	*	*	*	*	*	*	*	*	Foot Lift Solenoid Plunger Complete
417172	*	*	*	*	*	*	*	*	*	Foot Lift Solenoid Plunger Stop Plate
417173	*	*	*	*	*	*	*	*	*	Foot Lift Solenoid Box Cover
417189	*	*	*	*	*	*	*	*	*	Auto Foot Lift Kit (without Knee Switch) 412373, 414774, 416783-003, 417166, 417265, 417266, 541166-001, 549296 (4)
<i>scant</i> 417219	*	*	*	*	*	*	*	*	*	Auto Foot Lift Kit (with Knee Switch) 417189, 417220, 419043, 540899 (2), 542893, 542897, 542902 (2), 549296 (3)
417220	*	*	*	*	*	*	*	*	*	Knee Switch Frame Shaft
417265	*	*	*	*	*	*	*	*	*	Foot Lift Solenoid Plunger Joint
417266	*	*	*	*	*	*	*	*	*	Foot Lift Solenoid Rod Link Ball (Right)
419004	*	*	*	*	*	*	*	*	*	Foot Lift Solenoid Complete 417168, 419005
419005	*	*	*	*	*	*	*	*	*	Foot Lift Solenoid
419006	*	*	*	*	*	*	*	*	*	Foot Lift Solenoid Cord Complete
419043	*	*	*	*	*	*	*	*	*	Relay Cord for Knee Switch Complete
504010-452	*	*	*	*	*	*	*	*	*	Foot Lift Solenoid Cord Clip Screw
540899	*	*	*	*	*	*	*	*	*	Knee Switch Cord Retainer
541166-001	*	*	*	*	*	*	*	*	*	Foot Lift Solenoid Rod Link Ball (Left) Nut
541166-003	*	*	*	*	*	*	*	*	*	Knee Switch Set Screw Nut (4)
542766-002	*	*	*	*	*	*	*	*	*	Foot Lift Solenoid Cord Clip
542893	*	*	*	*	*	*	*	*	*	Knee Switch, Knee Switch Base Plate Complete 541166-003 (4), 542894, 542895, 542901 (2), 544055 (4), 544213-003 (4), 544840 (8), 544841 (8)
542894	*	*	*	*	*	*	*	*	*	Knee Switch Connector Complete
542895	*	*	*	*	*	*	*	*	*	Knee Switch Base Plate
542897	*	*	*	*	*	*	*	*	*	Knee Switch Frame Shaft Holder Complete 542898, 544213-056 (2), 544840 (2), 544841 (2)
542898	*	*	*	*	*	*	*	*	*	Knee Switch Frame Shaft Holder
542901	*	*	*	*	*	*	*	*	*	Knee Switch Base Plate Holder (2)
542902	*	*	*	*	*	*	*	*	*	Knee Switch Relay Cord Staple
543803-002	*	*	*	*	*	*	*	*	*	Foot Lift Solenoid Cord Clip Washer
543803-003	*	*	*	*	*	*	*	*	*	Foot Lift Solenoid Box Cover Washer (3)
543803-004	*	*	*	*	*	*	*	*	*	Foot Lift Solenoid Washer (4)
544055	*	*	*	*	*	*	*	*	*	Knee Switch Set Screw (4)
544212-054	*	*	*	*	*	*	*	*	*	Foot Lift Solenoid Box Cover Screw (3)
544213-003	*	*	*	*	*	*	*	*	*	Knee Switch Base Plate Holder Screw (4)
544213-053	*	*	*	*	*	*	*	*	*	Foot Lift Solenoid Screw
544213-056	*	*	*	*	*	*	*	*	*	Knee Switch Frame Shaft Holder Screw (2)
544840	*	*	*	*	*	*	*	*	*	Knee Switch Set Screw Spring Washer (4)
544840	*	*	*	*	*	*	*	*	*	Knee Switch Base Plate Holder Screw Spring Washer (4)
544840	*	*	*	*	*	*	*	*	*	Knee Switch Frame Shaft Holder Spring Washer (2)
544841	*	*	*	*	*	*	*	*	*	Knee Switch Set Screw Washer (8)
544841	*	*	*	*	*	*	*	*	*	Knee Switch Frame Shaft Holder Washer (2)
549296	*	*	*	*	*	*	*	*	*	Foot Lift Solenoid Box Complete Set Screw (4)
549296	*	*	*	*	*	*	*	*	*	Knee Switch Frame Shaft Holder Set Screw (3)



### OPTIONAL PARTS



OPTIONAL PARTS

No.	211U157 JA 211U165 JA 211U166 JA 211U566 JA 211U567 JB	211U157 KA 211U166 KA 211U566 KA 211U567 KB	Description
412218	* * * * *	* * * *	Belt Guard Screw Stud (2)
412219	* * * * *	* * * *	Belt Guard (lower) with 549184
412220	* * * * *	* * * *	Belt Guard Screw Collar
412241	* * * * *	* * * *	Belt Guard Cpl. 412218 (2), 412219, 412220, 412244, 412282, 544085 (2), 544217-001 (7), 544217-004
412244	* * * * *	* * * *	Belt Guard
412282	* * * * *	* * * *	Belt Guard Plate
544085	* * * * *	* * * *	Belt Guard (lower) Wood Screw (2)
544217-001	* * * * *	* * * *	Belt Guard Screw (3)
544217-001	* * * * *	* * * *	Belt Guard Plate Screw (4)
544217-004	* * * * *	* * * *	Belt Guard Screw (long)
549184	* * * * *	* * * *	Belt Guard (lower) Thumb Screw